

# Flat

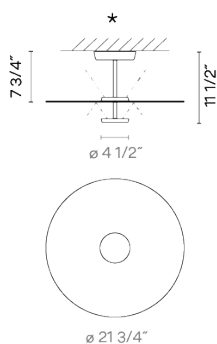
VIBIA

5915

Design By Ichiro Iwasaki

Flat lamps are a creation from the designer Ichiro Iwasaki. The discs of light descend from the ceiling to form a pendant, where the planes of reflected light blend in with the architecture. All the models in the Flat collection incorporate LED lighting and are available in a range of neutral color tones.

## Spec sheet



<b>Finish</b>	10 White NCS S 0300-N
<b>LED color temperature</b>	2700 K
<b>Dimming</b>	0-10V <b>Optional</b> TRIAC or DALI or Lutron ECO Min. Quantity, upcharge and extra lead time apply
<b>Installation type</b>	Surface

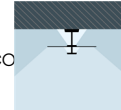
<b>Materials</b>	Canopy: Steel Reflector: Aluminum Body: Steel
<b>Light source</b>	2 x LED PLATE 10.5W 700mA
<b>LED</b>	CRI>90 2900 lm 138.09 2700 K
<b>Driver</b>	CC - Constant Current 700 120-277 V 50/60 HZ

Dimmable LED IP20 Multi-volt  
UL Dry Location 50-60Hz 0-10V

### Lighting effect

#### General Lighting

Lamp that emits an upward or backward beam that is reflected by the ceiling or wall.



### Photometric Data

<b>Application</b>	Ceiling Fixtures
<b>Packaging</b>	1 Box 27.95 m x 27.95 m x 1.22 m Gross weight 12.16 Net weight 10.46 Vol. 0.5509

VIBIA, INC.

USA & CANADA  
272 Fernwood Ave. Edison, NJ 08837. USA  
Phone 732 417 1700 sales@vibia.com www.vibia.com/us/usa

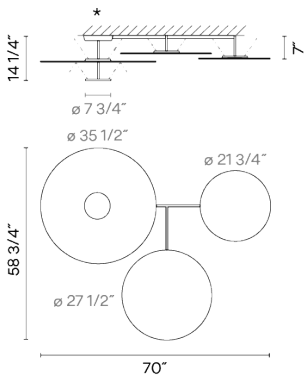
HEADQUARTERS  
Progrés 4-6. 08850 Gavà  
(Barcelona - Spain)

## 5922

Design By Ichiro Iwasaki

Flat lamps are a creation from the designer Ichiro Iwasaki. The discs of light descend from the ceiling to form a pendant, where the planes of reflected light blend in with the architecture. All the models in the Flat collection incorporate LED lighting and are available in a range of neutral color tones.

### Spec sheet



<b>Finish</b>	<ul style="list-style-type: none"> <li><span style="display: inline-block; width: 10px; height: 10px; background-color: #f0f0f0; border-radius: 50%; margin-right: 5px;"></span> 10 White NCS S 0300-N</li> <li><span style="display: inline-block; width: 10px; height: 10px; background-color: #c0c0c0; border-radius: 50%; margin-right: 5px;"></span> 71 White, Green L1, Off-White NCS S 0300-N, NCS S 4005-G80Y, NCS S 0300-N</li> </ul>
<b>LED color temperature</b>	2700 K
<b>Dimming</b>	0-10V <b>Optional</b> DALI or TRIAC Min. Quantity, upcharge and extra lead time apply
<b>Installation type</b>	Surface

<b>Materials</b>	Canopy: Steel Reflector: Aluminum Body: Steel
<b>Light source</b>	4 x LED PLATE 20W 700mA
<b>LED</b>	CRI>90 11600 lm 145 2700 K
<b>Driver</b>	CC - Constant Current 700 120-277 V 50/60 HZ

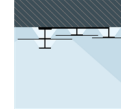
Dimmable
LED
IP20
Multi-volt  
Dry Location
50-60Hz
0-10V

<b>Application</b>	Ceiling Fixtures
<b>Packaging</b>	1 Box 50.2 m x 41.73 m x 18.11 m Gross weight 58.59 Net weight 44.01 Vol. 21.9518

#### Lighting effect

##### General Lighting

Lamp that emits an upward or backward beam that is reflected by the ceiling or wall.



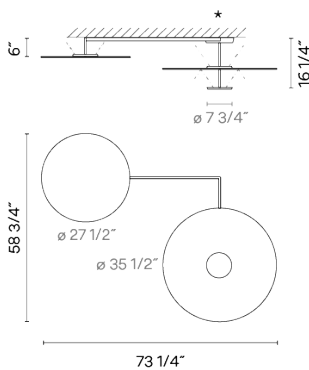
#### Photometric Data




## 5924

Design By Ichiro Iwasaki

Flat lamps are a creation from the designer Ichiro Iwasaki. The discs of light descend from the ceiling to form a pendant, where the planes of reflected light blend in with the architecture. All the models in the Flat collection incorporate LED lighting and are available in a range of neutral color tones.

### Spec sheet



<b>Finish</b>	 72 White, Green L1 NCS S 0300-N, NCS S 4005-G80Y
	 10 White NCS S 0300-N
	 73 White, Off-White NCS S 0300-N, NCS S 1000-N

**LED color temperature** 2700 K

**Dimming** 0-10V  
**Optional** DALI or TRIAC  
Min. Quantity, upcharge and extra lead time apply

**Installation type** Surface

**Materials**  
Canopy: Steel  
Reflector: Aluminum  
Body: Steel

**Light source** 3 x LED PLATE 20W 700mA

**LED** CRI>90 8700 lm 145  
2700 K

**Driver** CC - Constant Current 700  
120-277 V 50/60 HZ

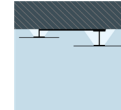
Dimmable LED IP20 Multi-volt

UL 50-60Hz 0-10V

#### Lighting effect

##### General Lighting

Lamp that emits an upward or backward beam that is reflected by the ceiling or wall.



#### Photometric Data

**Application** Ceiling Fixtures

**Packaging**  
1 Box  
50.2 m x 41.73 m x 18.11 m  
Gross weight 58.59  
Net weight 44.01  
Vol. 21.9518

# Flat

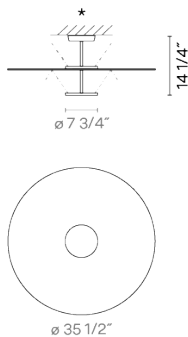
VIBIA

5926

Design By Ichiro Iwasaki

Flat lamps are a creation from the designer Ichiro Iwasaki. The discs of light descend from the ceiling to form a pendant, where the planes of reflected light blend in with the architecture. All the models in the Flat collection incorporate LED lighting and are available in a range of neutral color tones.

## Spec sheet



<b>Finish</b>	10 White NCS S 0300-N
<b>LED color temperature</b>	2700 K
<b>Dimming</b>	0-10V <b>Optional</b> DALI or TRIAC Min. Quantity, upcharge and extra lead time apply
<b>Installation type</b>	Surface

<b>Materials</b>	Canopy: Steel Shade: Aluminum Body: Steel Head: Aluminum
<b>Light source</b>	2 x LED PLATE 20W 700mA
<b>LED</b>	CR>90 5800 lm 145 2700 K
<b>Driver</b>	CC - Constant Current 700 120-277 V 50/60 HZ

Dimmable LED IP20 Bi-volt

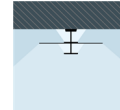
50-60Hz 0-10V

<b>Application</b>	Ceiling Fixtures
<b>Packaging</b>	1 Box 50.2 m x 41.73 m x 18.11 m Gross weight 58.59 Net weight 44.01 Vol. 21.9518

### Lighting effect

#### General Lighting

Lamp that emits an upward or backward beam that is reflected by the ceiling or wall.



### Photometric Data

VIBIA, INC.

USA & CANADA  
272 Fernwood Ave. Edison, NJ 08837. USA  
Phone 732 417 1700 sales@vibia.com www.vibia.com/us/usa

HEADQUARTERS  
Progrés 4-6. 08850 Gavà  
(Barcelona - Spain)