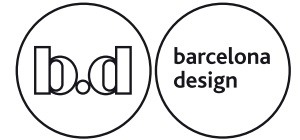


TECHNICAL SPECIFICATION

Explorer Dining Table

JAIME HAYON
2021



COMPONENTS, MATERIALS & FINISHES:

Interior painted steel structure. Central leg and base in fibreglass with a gloss (strengthened gel for durability) finish.
A MDF veneered table top in Fenix with a matte finish. The underside and the borders of the top are lacquered in a matte finish. Nylon leveling glides.
3 multicolor options for all models. Optional: table top available in Fenix Black

Multicolor Blue

- Laminated Fenix top: 725 Gris Perle
- Underside top: Ral 5008 Mate (Grey blue)
- Body: Ral 5008 Gloss (Grey blue)
- Base: Ral 1015 Gloss (Light Ivory)

Multicolor Beige

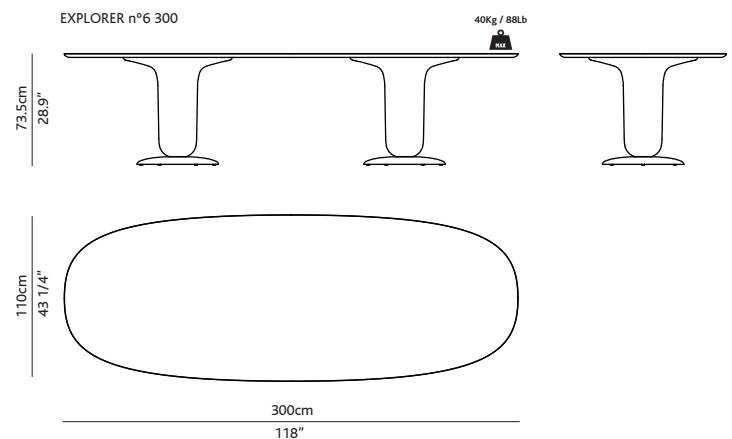
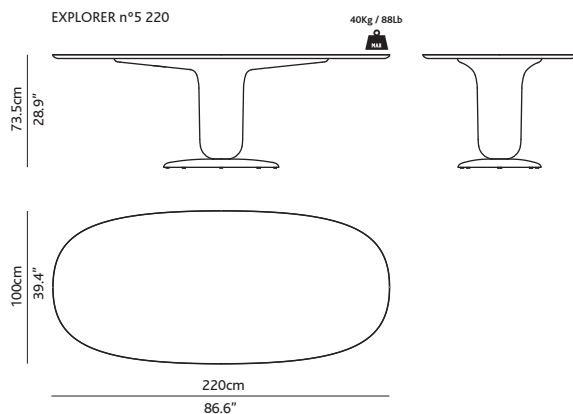
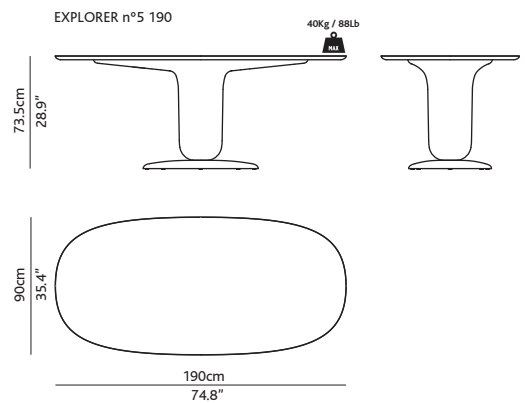
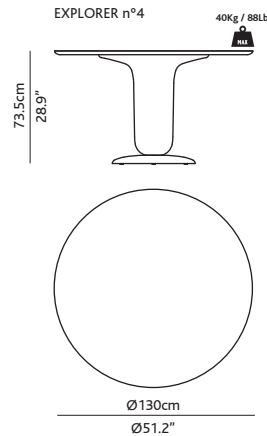
- Laminated Fenix top : 719 Beige
- Underside top: Ral 8017 Mate (Chocolate brown)
- Body: Ral 1001 Gloss (Beige)
- Base: Ral 8015 Gloss (Chestnut brown)

Multicolor Ivory

- Laminated Fenix top : 725 Gris Perle
- Underside top: Ral 5008 Mate (Grey blue)
- Body Ral 1015 Gloss (Light Ivory)
- Base: Ral 6009 Gloss (Fir green)

DIMENSIONS & WEIGHT:

Explorer 4: Ø130x 73.5cm - 82kg / Ø51.2x28.9" - 180lb
Explorer 5 190: 190x90xh 73.5cm - 94kg / 74.8x35.4xh28.9" - 207lb
Explorer 5 220: 220x100xh 73.5cm - 100kg / 86.6x39.4xh28.9" - 220lb
Explorer 6 300: 300x110xh 73.5cm - 180kg / 118x43.1xh28.9" - 396lb



MEASUREMENTS IN CM and INCHES



Bd Barcelona design

Ramon Turró, 126 / 08005 Barcelona
Tel +34 93 458 69 09 / Fax +34 93 207 36 97
bd@bdbarcelona.com / www.bdbarcelona.com

Technical department

Carretera Capellades / km 22,750
Narcís Monturiol, 7 / Pol. Ind Sesroviros
Sant Esteve de Sesroviros / 08635 Barcelona
Tel +34 93 771 30 51

TECHNICAL SPECIFICATION

Explorer Dining Table

JAIME HAYON
2021



PACKAGING:

The tops are supplied in a wooden box reinforced and protected inside a Cellaire film plus a bubble bag and foam protection. The structures are sended asssembled into a cardboard on a pallet.

Dimensions:

Explorer nº 4 (130)

Top: 143 x 14 x h.143 cm (0.29m³)/ 42Kg
56" x 5" x 56" (76.61 gal lqd)/ 92lbs

Stand: 87 x 87 x h.92 cm (0.70m³)/ 85Kg
34" x 34" x 36" (182.27 gal lqd)/ 187lbs

Explorer nº 5 (190)

Top: 203 x 14 x h.102 cm (0.28m³)/ 49Kg
80" x 5" x 40" (76.58 gal lqd)/ 108lbs

Stand: 175 x 71 x h.92 cm (1.14m³)/ 128Kg
69" x 28" x 36" (301.15 gal lqd)/ 282lbs

Explorer nº 5 (220)

Top: 232 x 14 x h.114 cm (0.37m³)/ 61Kg
91" x 5" x 44" (97.74 gal lqd)/ 134lbs

Stand: 175 x 71 x h.92 cm (1.14m³)/ 128Kg
69" x 28" x 36" (301.15 gal lqd)/ 282lbs

CLEANING & MAINTENANCE

The table should be cleaned with a damp cloth (an organic flannel is recommended) using only water or a mild soap. Do not use solvents, alcohol or any other products containing these derivatives.

Make sure the cloth is clean and free of dust and other speckles.

Old and difficult to remove stains:

Treat the dirt with a suitable organic solvent (e.g. acetone, ethyl alcohol, perchloroethylene, Methyl ethyl ketone, etc.). Allow the solvent to act and dry with a paper towel or soft cloth. Rinse and then dry again.

If the stain is still visible, repeat the operations.

*Do NOT place hot objects on the top surface. 

MEASUREMENTS IN CM and INCHES



Bd Barcelona design

Ramon Turró, 126 / 08005 Barcelona
Tel +34 93 458 69 09 / Fax +34 93 207 36 97
bd@bdbarcelona.com / www.bdbarcelona.com

Technical department

Carretera Capellades / km 22,750
Narcís Monturiol, 7 / Pol. Ind Sesrovires
Sant Esteve de Sesrovires / 08635 Barcelona
Tel +34 93 771 30 51