

TECHNICAL DATA

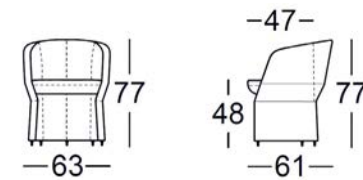
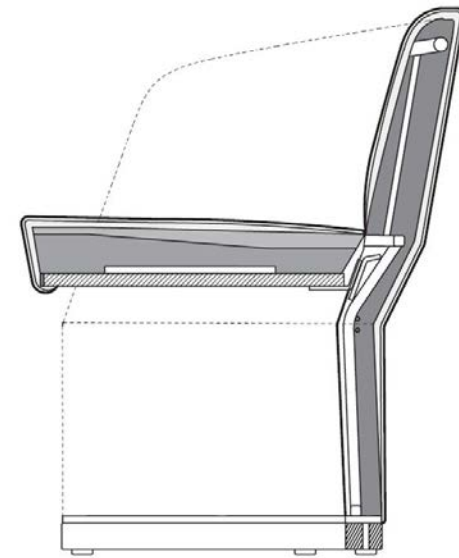
ROLF BENZ ENI



**ROLF
BENZ**

- Metal inner frame
- Seat support in wood materials
- Elastic webbing
- Seat in polyurethane foam, built up in coordinated layers varying in height and firmness
- Back with foam-moulded metal innerframe of soft foam
- Cover quilted underneath with non-woven polyester
- Leg version: Pedestal MDF varnished matt:
 - hard castors (for soft floor coverings, such as carpets)
 - soft castors (for hard floor coverings, e.g. parquet)

! Due to the way the furniture is designed, and its comfort level, some wrinkles and sitting pressure indentations are inevitable, even in top quality Rolf Benz upholstered furniture.
All dimensions are approximate.



**ROLF
BENZ**