

# TECHNICAL SPECIFICATIONS

## Dino Armchair

JAIME HAYON  
2019



### MATERIALS AND COMPONENTS

Body made of poliurethane reinforced with steel structure and covered with polieter foam.

Headrest, seat and backrest are made of polieter foam. Seat and headrest are fixed to body while backrest is removable.

Standard legs made of steel pipe and optional legs made of aluminium casting.

### FINISHES

- Monocolor: Upholstered in all BD fabrics and Dream or Nabuk leather with steel legs or optional aluminium casting legs painted in dark bronze.

- Hayon color selection:

#### Green version:

Upholstery: Kvadrat Vidar3 1062 + Kvadrat Steelcut2 0975 + arms upholstered with leather Florida 2046 green.

Legs: Aluminium casting painted in color Green RAL 6006.

#### Red version:

Upholstery: Kvadrat Vidar3 0582 + Kvadrat Steelcut2 0615 + arms upholstered with leather Florida 2080 green.

Legs: Aluminium casting painted in color Red RAL 3005.

### WEIGHT AND DIMENSIONS

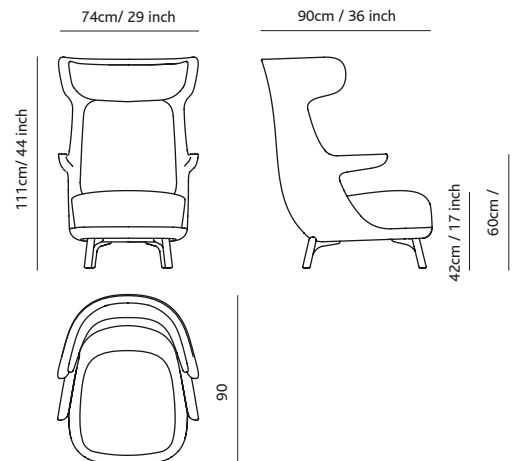
74x90x111 cm - 25 Kg / 29"x36"x44" - 55 Pd

### PACKAGING

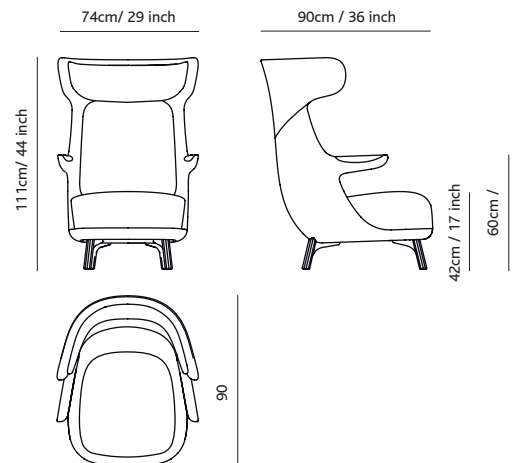
The product is assembled and sent packaged in a reinforced cardboard box.

### CLEANING AND MAINTENANCE

All fabrics must be cleaned with a damp cloth using only water. Letahers can be cleaned in the same way, and for maintenance, a thin layer of wax that is the same colour as the leather or a neutral one (colourless) can be applied.



### HAYON EDITION



MEASUREMENTS IN CM AND INCHES

UPDATED: 19/07/2021



#### Bd Barcelona design

Ramón Turró, 126 / 08005 Barcelona  
Tel +34 93 458 69 09 / Fax +34 93 207 36 97  
bd@bdbarcelona.com / www.bdbarcelona.com

#### Oficina Comercial

Carretera Capellades / km 22,750  
Narcís Monturiol, 7 / Pol. Ind Sesrovires  
Sant Esteve de Sesrovires / 08635 Barcelona  
Tel +34 93 771 30 51 / Fax +34 93 771 32 32