

ACROSS

design Pio & Tito Toso



Type: Suspension

Light source: **A08SW1:** led module 32W, 2700K, CRI 90
A08S01: led module 32W, 3000K, CRI 90
A08SC1: led module 32W, 3500K, CRI 90
A085W2: led module 56W, 2700K, CRI 90
A08S02: led module 56W, 3000K, CRI 90
A08SC2: led module 56W, 3500K, CRI 90

Product use: Indoor

Materials: Aluminium structure, polycarbonate diffuser

Colors: Black

Description: Across is a versatile and dynamic lamp, ready to personalize any space, "crossing" it with a clear, distinctive graphic gesture. A linear suspension lamp composed of three interconnected axes of two different sizes, to create compositions with different images and levels of complexity.

Rating: 120-277 V ~ 50/60 Hz
A08S01/A08SW1 /A08SC1 + A08/1D - A08/1T 36W
A08S02/A085W2/A08SC2 + A08/1D - A08/1T 65W



Marking:

Structure 2700K

Reference code: **A08SW1** 1A080SW10001 black
A08SW2 1A080SW20001 black

Structure 3000K

Reference code: **A08S01** 1A080S010001 black
A08S02 1A080S020001 black

Structure 3500K

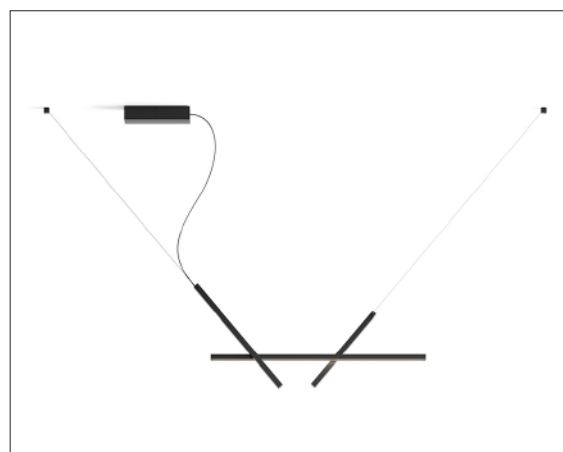
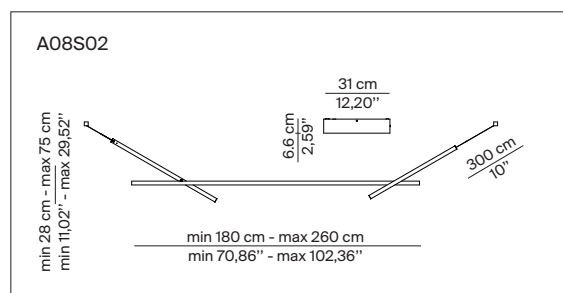
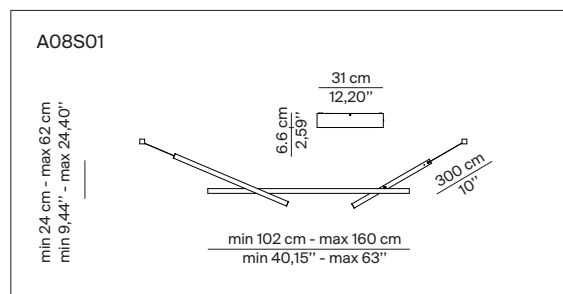
Reference code: **A08SC1** 1A080SC10001 black
A08SC2 1A080SC20001 black

Dimming 1-10V canopy

Reference code: **A08/1D** 1A080/01D501 black
A08/2D 1A080/02D501 black

phase cut canopy

Reference code: **A08/1T** 1A080/01T501 black
A08/2T 1A080/02T501 black



ACROSS

design Pio & Tito Toso



Type: Suspension

Light source: **A08SW1:** led module 32W, 2700K, CRI 90
A08S01: led module 32W, 3000K, CRI 90
A08SC1: led module 32W, 3500K, CRI 90
A085W2: led module 56W, 2700K, CRI 90
A08S02: led module 56W, 3000K, CRI 90
A08SC2: led module 56W, 3500K, CRI 90

Product use: Indoor

Materials: Aluminium structure, polycarbonate diffuser

Colors: Black

Description: Across is a versatile and dynamic lamp, ready to personalize any space, "crossing" it with a clear, distinctive graphic gesture. A linear suspension lamp composed of three interconnected axes of two different sizes, to create compositions with different images and levels of complexity.

Rating: 120-277 V ~ 50/60 Hz
A08S01/A08SW1 /A08SC1 + A08/1D - A08/1T 36W
A08S02/A085W2/A08SC2 + A08/1D - A08/1T 65W



Marking:

Structure 2700K

Reference code: **A08SW1** 1A080SW10001 black
A08SW2 1A080SW20001 black

Structure 3000K

Reference code: **A08S01** 1A080S010001 black
A08S02 1A080S020001 black

Structure 3500K

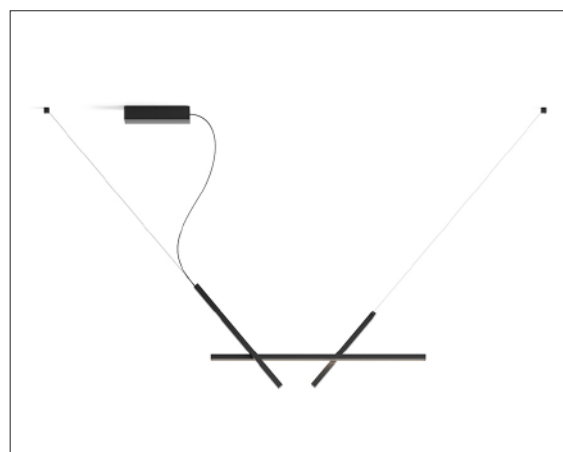
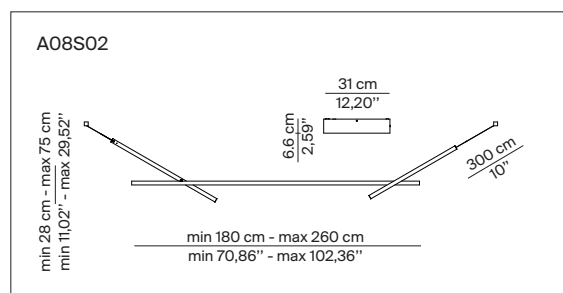
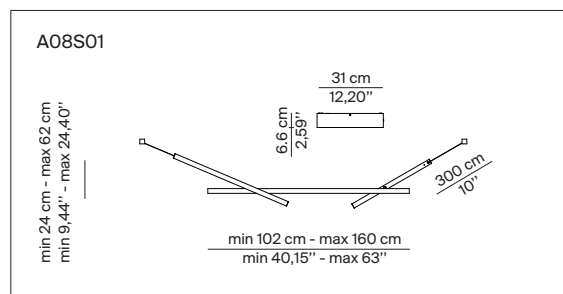
Reference code: **A08SC1** 1A080SC10001 black
A08SC2 1A080SC20001 black

Dimming 1-10V canopy

Reference code: **A08/1D** 1A080/01D501 black
A08/2D 1A080/02D501 black

phase cut canopy

Reference code: **A08/1T** 1A080/01T501 black
A08/2T 1A080/02T501 black

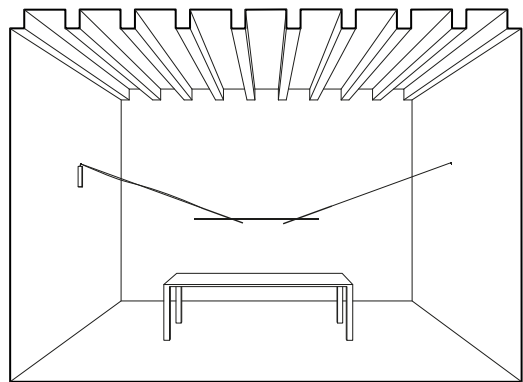
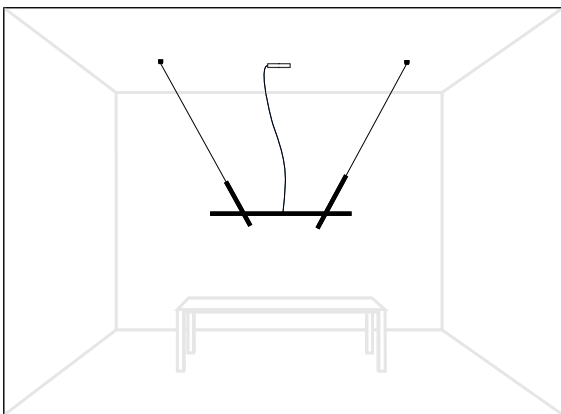
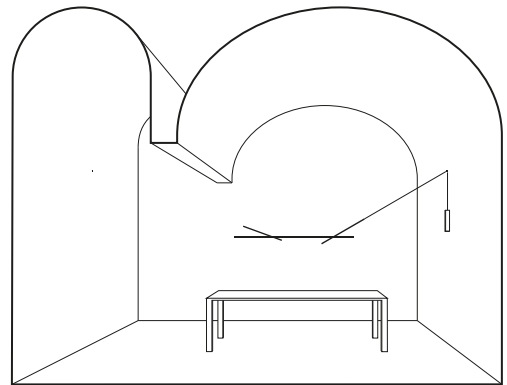
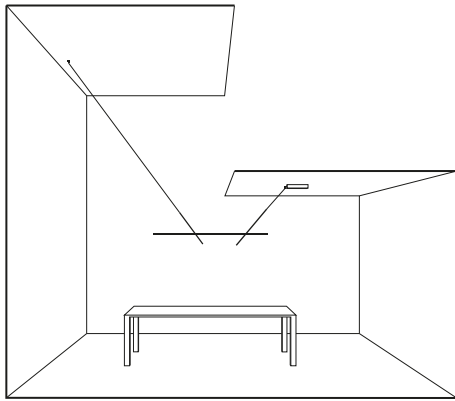
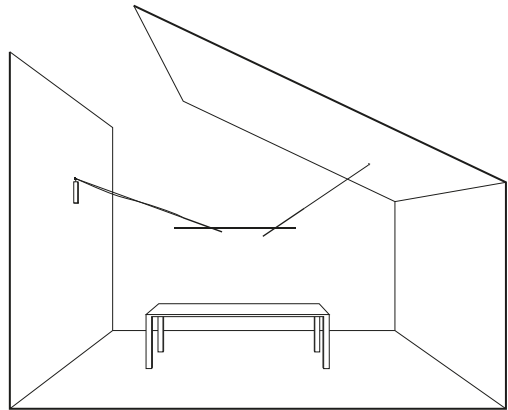
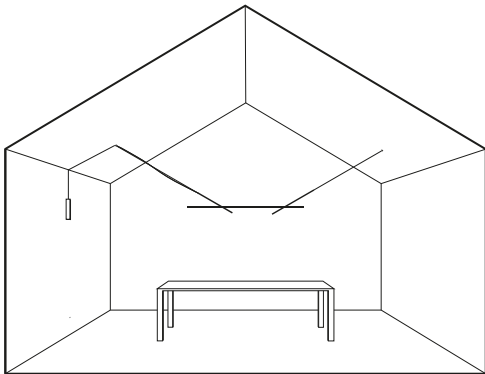


ACROSS

design Pio & Tito Toso



Possible configurations:



ACROSS

design Pio & Tito Toso



Type: Suspension

Light source: **A08SW1:** led module 32W, 2700K, CRI 90
A08S01: led module 32W, 3000K, CRI 90
A08SC1: led module 32W, 3500K, CRI 90
A085W2: led module 56W, 2700K, CRI 90
A08S02: led module 56W, 3000K, CRI 90
A08SC2: led module 56W, 3500K, CRI 90

Product use: Indoor

Materials: Aluminium structure, polycarbonate diffuser

Colors: Black

Description: Across is a versatile and dynamic lamp, ready to personalize any space, "crossing" it with a clear, distinctive graphic gesture. A linear suspension lamp composed of three interconnected axes of two different sizes, to create compositions with different images and levels of complexity.

Rating: 120-277 V ~ 50/60 Hz
A08S01/A08SW1 /A08SC1 + A08/1D - A08/1T 36W
A08S02/A085W2/A08SC2 + A08/1D - A08/1T 65W



Marking:

Structure 2700K

Reference code: **A08SW1** 1A080SW10001 black
A08SW2 1A080SW20001 black

Structure 3000K

Reference code: **A08S01** 1A080S010001 black
A08S02 1A080S020001 black

Structure 3500K

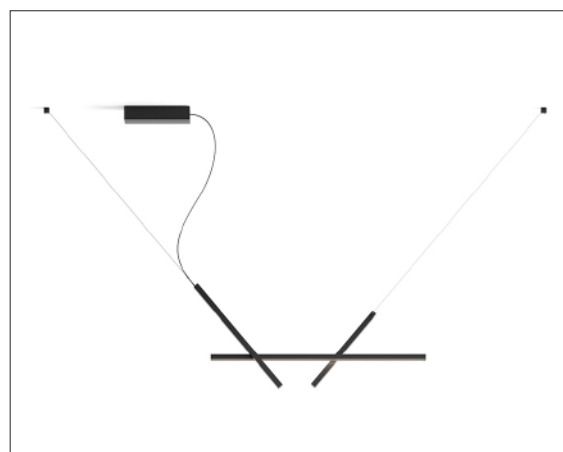
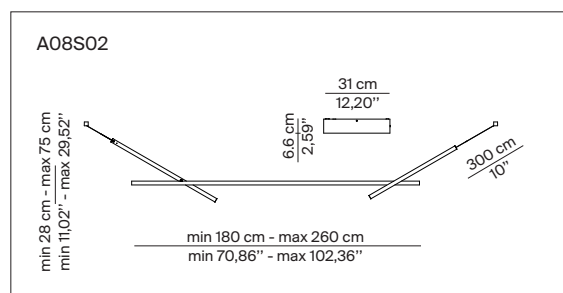
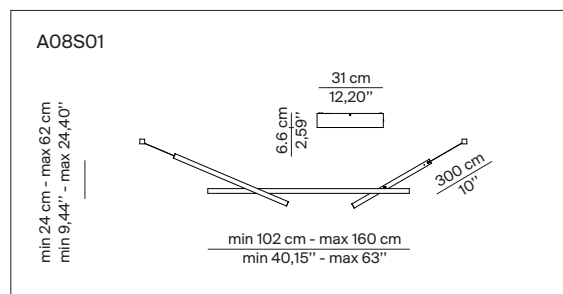
Reference code: **A08SC1** 1A080SC10001 black
A08SC2 1A080SC20001 black

Dimming 1-10V canopy

Reference code: **A08/1D** 1A080/01D501 black
A08/2D 1A080/02D501 black

phase cut canopy

Reference code: **A08/1T** 1A080/01T501 black
A08/2T 1A080/02T501 black

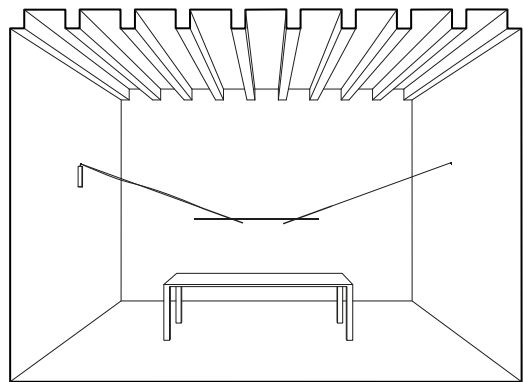
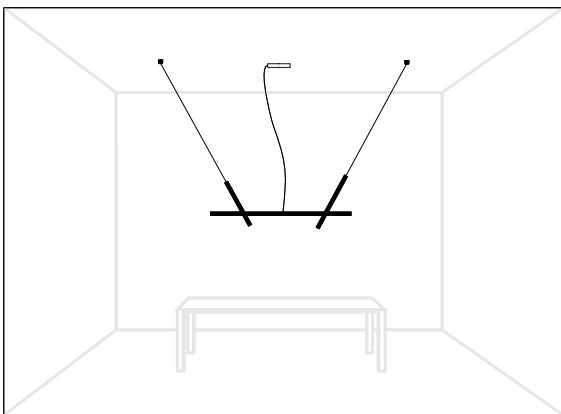
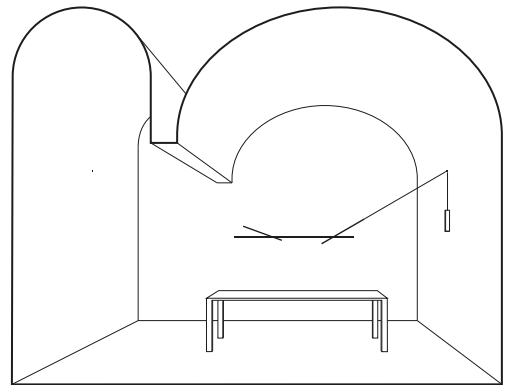
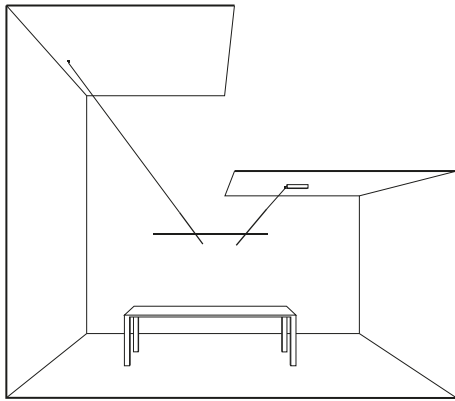
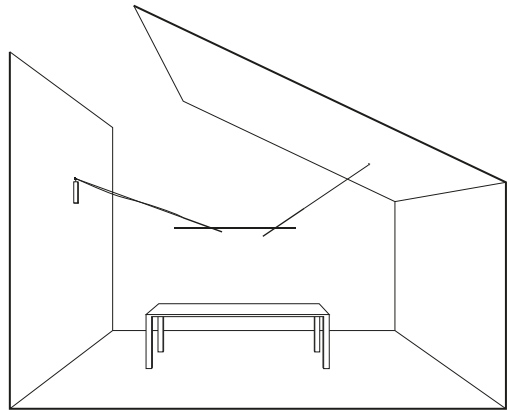
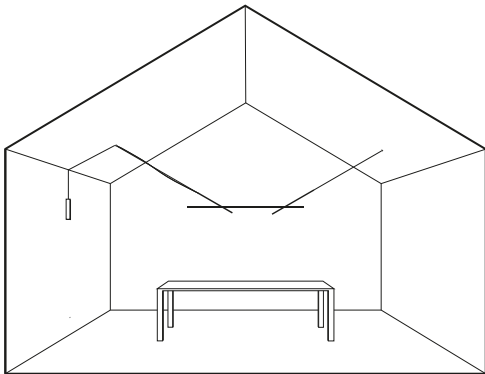


ACROSS

design Pio & Tito Toso



Possible configurations:



ACROSS

design Pio & Tito Toso



Possible configurations:

