

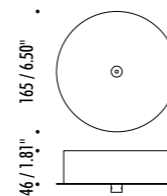


The sizes are expressed in millimeters / inches.

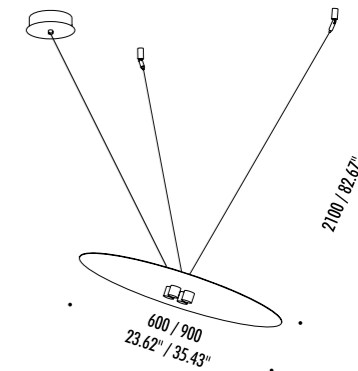
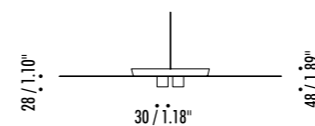
DESIGN DAVIDE GROPPI - 2018  
SUSPENSION LAMP - METHACRYLATE - METAL

CARTESIO

CEILING ROSE



PLATE



1A3190003.30.04	STANDARD Ø 600 - 3000K - PUSH	CARTESIO 120 V - 60 Hz - 15,5 W 300 lm - CRI > 80 (DOWN) / 930 lm - CRI > 90 (UP) DUAL EMISSION WHITE CEILING ROSE - WHITE CABLE - 304 STAINLESS STEEL SUSPENSION CABLES STAINLESS STEEL PLATE WITH MIRROR FINISH (DOWN) - RED BACK SIDE (UP)

1A0070003.30.04	STANDARD Ø 900 - 3000K - PUSH	CARTESIO 90 120 V - 60 Hz - 15,5 W 300 lm - CRI > 80 (DOWN) / 930 lm - CRI > 90 (UP) DUAL EMISSION WHITE CEILING ROSE - WHITE CABLE - 304 STAINLESS STEEL SUSPENSION CABLES STAINLESS STEEL PLATE WITH MIRROR FINISH (DOWN) - RED BACK SIDE (UP)