



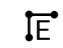
/ Absolute freedom, absolute spatiality, absolute creativity.

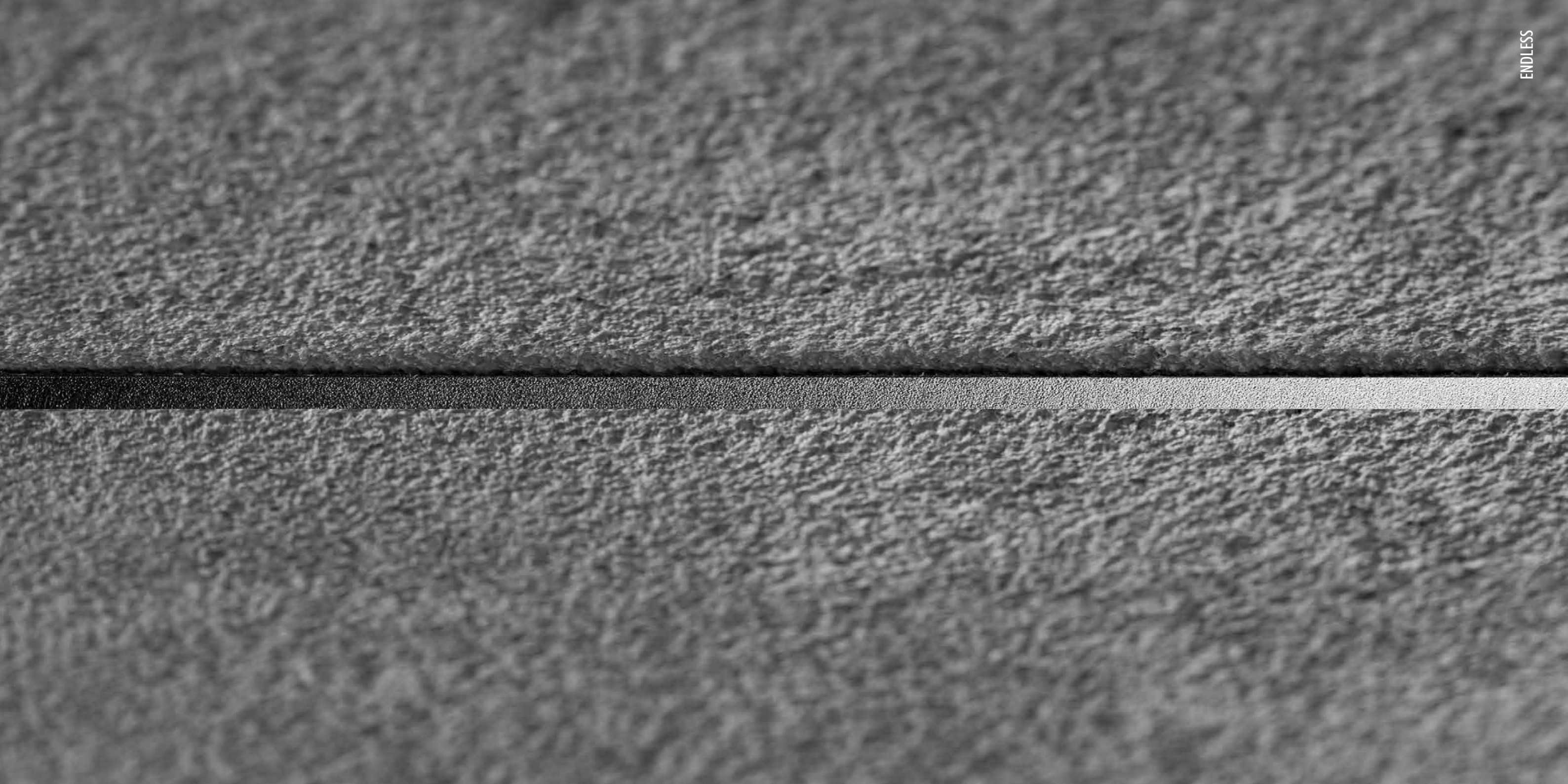
The Euclidean representations of the Fundamental States of light:
direct, indirect and diffuse.
The possibility to take light anywhere, freely,
without any electrical constraints.
Each product lives its own life, but can be integrated and blended with
others. **Endless** can be used to power **Infinito, Flash, Ohm**.
Technology helps to break down the boundaries.
Intangible, almost invisible materials, hidden, camouflages conductors,
thin cobwebs of filaments that carry and draw the light.

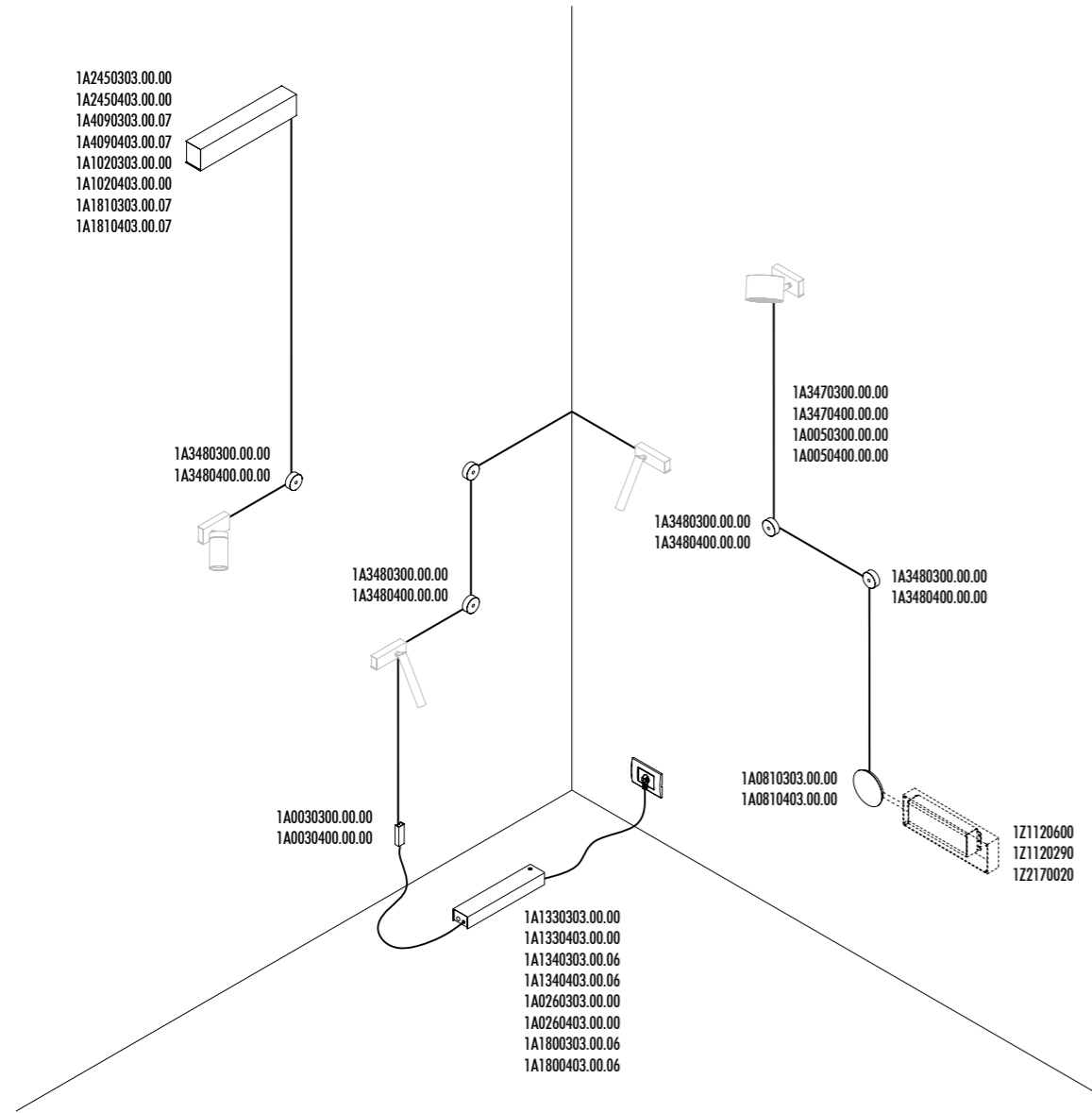
Light running on digital tracks, ultra-light and almost invisible wires,
modular tapes that can be laid limitlessly on
stairs, windows, glass panels.
Circuit that close, accent lighting, ultra-light diodes.
Different, modular and compatible products together with Endless.
All this is part of our Sistemi.

FOR NORTH AMERICA USE ONLY CLASS 2 POWER SUPPLY MAX 4A DNT LOCATION ONLY - + -
FOR NORTH AMERICA USE ONLY CLASS 2 POWER SUPPLY MAX 4A DNT LOCATION ONLY - + -
FOR NORTH AMERICA USE ONLY CLASS 2 POWER SUPPLY MAX 4A DNT LOCATION ONLY - + -
FOR NORTH AMERICA USE ONLY CLASS 2 POWER SUPPLY MAX 4A DNT LOCATION ONLY - + -
FOR NORTH AMERICA USE ONLY CLASS 2 POWER SUPPLY MAX 4A DNT LOCATION ONLY - + -
FOR NORTH AMERICA USE ONLY CLASS 2 POWER SUPPLY MAX 4A DNT LOCATION ONLY - + -
FOR NORTH AMERICA USE ONLY CLASS 2 POWER SUPPLY MAX 4A DNT LOCATION ONLY - + -
FOR NORTH AMERICA USE ONLY CLASS 2 POWER SUPPLY MAX 4A DNT LOCATION ONLY - + -
FOR NORTH AMERICA USE ONLY CLASS 2 POWER SUPPLY MAX 4A DNT LOCATION ONLY - + -
FOR NORTH AMERICA USE ONLY CLASS 2 POWER SUPPLY MAX 4A DNT LOCATION ONLY - + -

The beating heart of Sistemi.
Endless is an adhesive strip, a conductive strip that can be applied to any kind of surface.
Walls, ceilings, or even stairs, furniture, windows and glass, with Endless they become potential light spaces.
The **Endless** system was designed and patented to bring "potential differences" wherever you want them, creating graphic digital designs. This way current can run anywhere, allowing you to connect more than one luminaire at the same time.
Every space becomes an electronic circuit where light can be positioned with the greatest freedom.
With **Endless**, one of the greatest dreams of light designers becomes reality: light can be used to draw, create patterns, and engrave the darkness. Finally freed, light becomes the artist's brush.

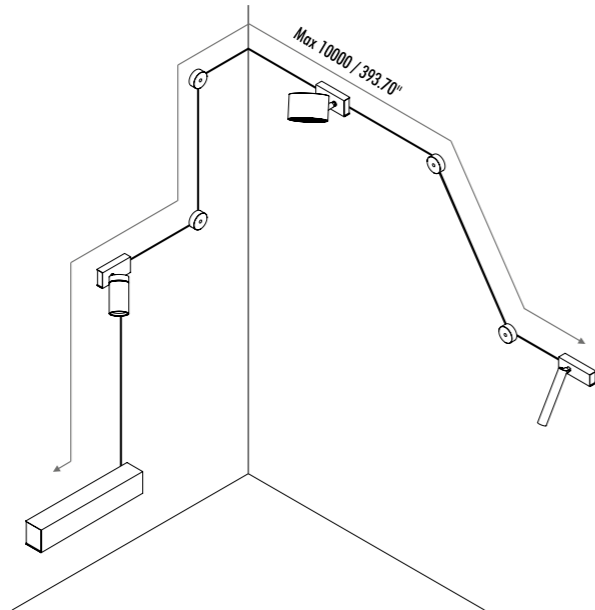
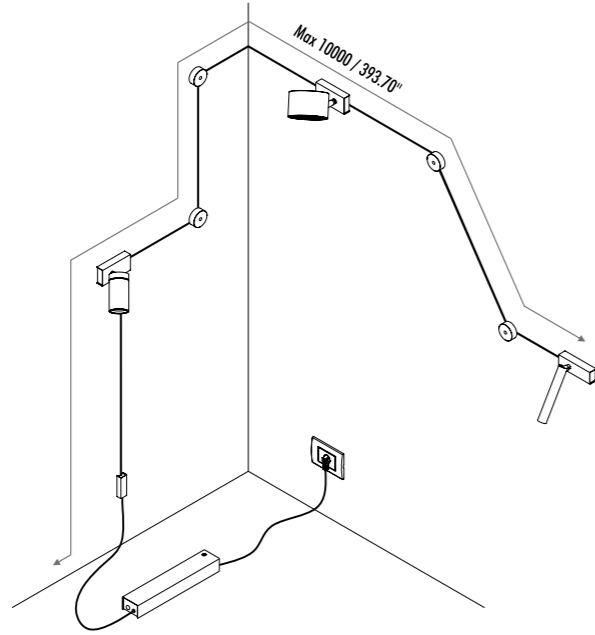
ENDLESS ICON






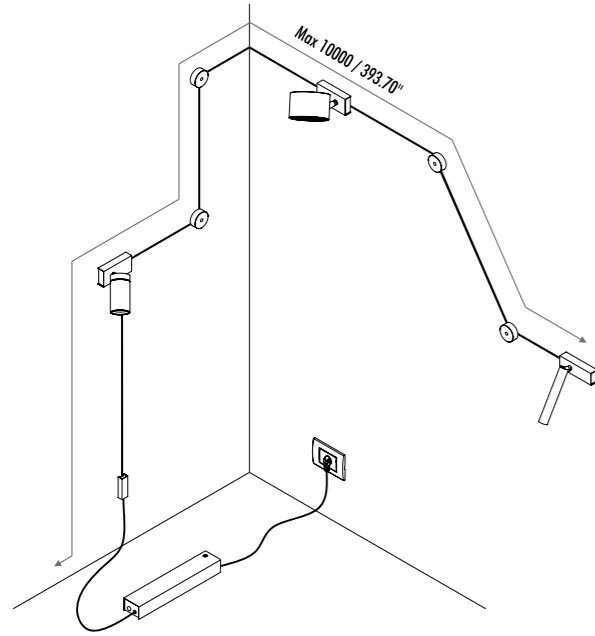
The sizes are expressed in millimeters / inches.

1A3470300.00.00	MATT WHITE - 5 m / 196.85"	ENDLESS - MAX 150 W - MAX 48 V DC - MAX 4 A	
1A3470400.00.00	MATT BLACK - 5 m / 196.85"		
1A0050300.00.00	MATT WHITE - 10 m / 393.70"		
1A0050400.00.00	MATT BLACK - 10 m / 393.70"		
1A0370000.00.00	STANDARD	FIXING ROUGH WALLS KIT - 2,5 m / 98.42"	
1A3480300.00.00	MATT WHITE	TERMINAL BOX WITH 2 TERMINALS INCLUDED	
1A3480400.00.00	MATT BLACK		
1A0030300.00.00	MATT WHITE	POWER BASE FOR INSTALLATION WITH PLUG KIT	
1A0030400.00.00	MATT BLACK		
1A0810303.00.00	MATT WHITE	POWER BASE FOR INSTALLATION WITH REMOTE KIT	
1A0810403.00.00	MATT BLACK		
1A3490000.00.00	STANDARD	TERMINALS - 2 PIECES	



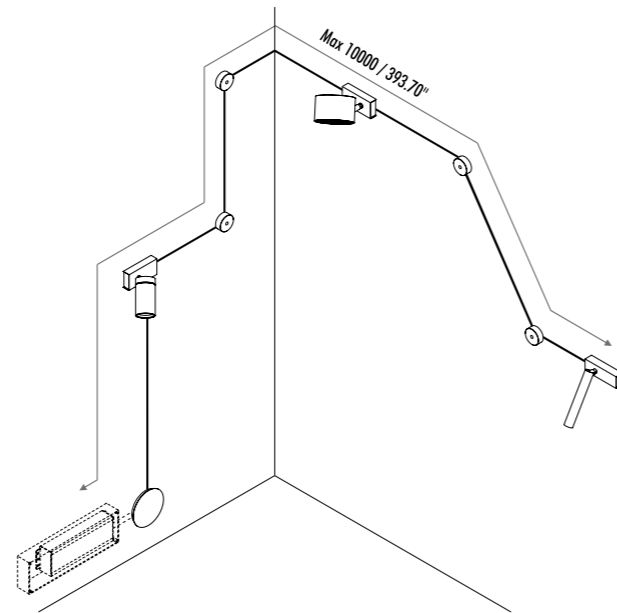
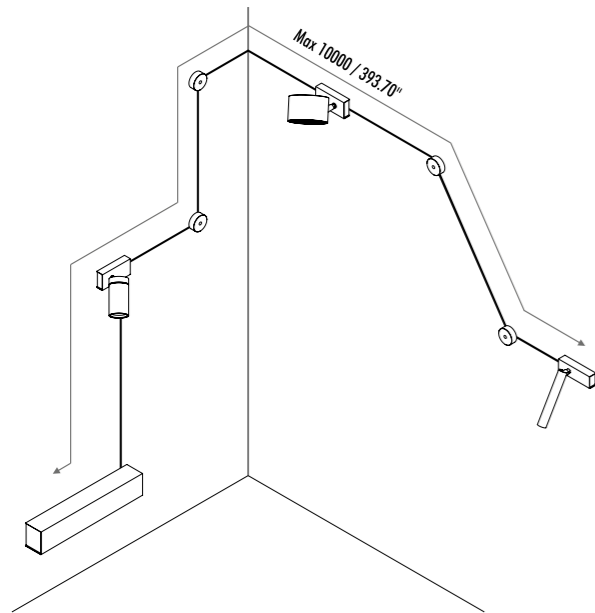
COMPULSORY POWER SUPPLY KIT FOR ENDLESS ON/OFF SYSTEM AND CASAMBI

1A1330303.00.00	MATT WHITE - ON/OFF	POWER SUPPLY KIT WITH PLUG INPUT 120 V - 60 Hz - OUTPUT 48 V DC - 60 W - IP20	
1A1330403.00.00	MATT BLACK - ON/OFF		
1A2450303.00.00	MATT WHITE - ON/OFF	WALL - CEILING ROSE KIT - REMOTE INPUT 120 V - 60 Hz - OUTPUT 48 V DC - 60 W - IP20	
1A2450403.00.00	MATT BLACK - ON/OFF		
1A0260303.00.00	MATT WHITE - ON/OFF	POWER SUPPLY KIT WITH PLUG INPUT 120 V - 60 Hz - OUTPUT 48 V DC - 90 W - IP20	
1A0260403.00.00	MATT BLACK - ON/OFF		
1A1020303.00.00	MATT WHITE - ON/OFF	WALL - CEILING ROSE KIT - REMOTE INPUT 120 V - 60 Hz - OUTPUT 48 V DC - 90 W - IP20	
1A1020403.00.00	MATT BLACK - ON/OFF		



WALL AND CEILING ROSE KIT

REMOTE POWER SUPPLY KIT



COMPULSORY POWER SUPPLY KIT FOR ENDLESS DIMMABLE SYSTEM

1A1340303.00.06	MATT WHITE	POWER SUPPLY KIT WITH PLUG - DIMMER INPUT 120 V - 60 Hz - OUTPUT 48 V DC - 60 W - IP20	
1A1340403.00.06	MATT BLACK		

1A4090303.00.07	MATT WHITE - DIM	WALL - CEILING ROSE KIT INPUT 120 V - 60 Hz - OUTPUT 48 V DC - 60 W - IP20 DALI - PUSH - 0/1-10 V DIMMABLE	
1A4090403.00.07	MATT BLACK - DIM		

1A1800303.00.06	MATT WHITE	POWER SUPPLY KIT WITH PLUG - DIMMER INPUT 120 V - 60 Hz - OUTPUT 48 V DC - 90 W - IP20	
1A1800403.00.06	MATT BLACK		

1A1810303.00.07	MATT WHITE - DIM	WALL - CEILING ROSE KIT INPUT 120 V - 60 Hz - OUTPUT 48 V DC - 90 W - IP20 DALI - PUSH - 0/1-10 V DIMMABLE	
1A1810403.00.07	MATT BLACK - DIM		

COMPULSORY POWER SUPPLY KIT FOR ENDLESS DIMMABLE SYSTEM

1Z1120600	STANDARD	REMOTE DRIVER INPUT 120 V - 60 Hz - OUTPUT 48 V DC - 60 W - IP20 1-10 V DIMMABLE	

1Z1120290	STANDARD - ON/OFF	REMOTE DRIVER INPUT 120 V - 60 Hz - OUTPUT 48 V DC - 90 W - IP20	

1Z2170020	STANDARD	CONTROLLER DALI - PUSH - 1-10 V - IP20	



Light is free



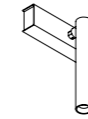
POWER KIT:

1A133XX03.00.00	POWER SUPPLY KIT WITH PLUG - 48 V - NOT DIMMABLE	60	MAX 1,25
1A245XX03.00.00	WALL CEILING ROSE KIT - REMOTE - 48 V - NOT DIMMABLE	60	MAX 1,25
1A134XX03.00.06	POWER SUPPLY KIT WITH PLUG - 48 V - DIMMABLE	60	MAX 1,25
1A409XX03.00.07	WALL CEILING ROSE KIT - 48 V - DALI - PUSH - 0/1-10 V DIMMABLE	60	MAX 1,25
1Z1120600	REMOTE DRIVER - 48 V - 1/10 V DIMMABLE	60	MAX 1,25
1Z1120290	REMOTE DRIVER - 48 V - NOT DIMMABLE	90	MAX 1,875
1A026XX03.00.00	POWER SUPPLY KIT WITH PLUG - 48 V - NOT DIMMABLE	90	MAX 1,875
1A102XX03.00.00	WALL CEILING ROSE KIT - REMOTE - 48 V - NOT DIMMABLE	90	MAX 1,875
1A180XX03.00.06	POWER SUPPLY KIT WITH PLUG - 48 V - DIMMABLE	90	MAX 1,875
1A181XX03.00.07	WALL CEILING ROSE KIT - 48 V - DALI - PUSH - 0/1-10 V DIMMABLE	90	MAX 1,875

ELEMENTS:

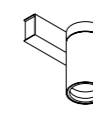
1A1080303.00.40	SPOT - MATT WHITE - ENDLESS	13	0,34
1A1080403.00.40	SPOT - MATT BLACK - ENDLESS	13	0,34
1A1080303.00.41	SPOT - MATT WHITE - ENDLESS - CASAMBI	15,5	0,4
1A1080403.00.41	SPOT - MATT BLACK - ENDLESS - CASAMBI	15,5	0,4
1A2340303.27.40	DOT P - MATT WHITE - 2700K - ENDLESS	13	0,34
1A2340303.30.40	DOT P - MATT WHITE - 3000K - ENDLESS	13	0,34
1A2340403.27.40	DOT P - MATT BLACK - 2700K - ENDLESS	13	0,34
1A2340403.30.40	DOT P - MATT BLACK - 3000K - ENDLESS	13	0,34
1A2340303.27.41	DOT P - MATT WHITE - 2700K - ENDLESS - CASAMBI	15,5	0,4
1A2340303.30.41	DOT P - MATT WHITE - 3000K - ENDLESS - CASAMBI	15,5	0,4
1A2340403.27.41	DOT P - MATT BLACK - 2700K - ENDLESS - CASAMBI	15,5	0,4
1A2340403.30.41	DOT P - MATT BLACK - 3000K - ENDLESS - CASAMBI	15,5	0,4
1A2280303.27.40	MIRA - MATT WHITE - 2700K - ENDLESS	6	0,16
1A2280303.30.40	MIRA - MATT WHITE - 3000K - ENDLESS	6	0,16
1A2280403.27.40	MIRA - MATT BLACK - 2700K - ENDLESS	6	0,16
1A2280403.30.40	MIRA - MATT BLACK - 3000K - ENDLESS	6	0,16
1A2280303.27.41	MIRA - MATT WHITE - 2700K - ENDLESS - CASAMBI	8,5	0,22
1A2280303.30.41	MIRA - MATT WHITE - 3000K - ENDLESS - CASAMBI	8,5	0,22
1A2280403.27.41	MIRA - MATT BLACK - 2700K - ENDLESS - CASAMBI	8,5	0,22
1A2280403.30.41	MIRA - MATT BLACK - 3000K - ENDLESS - CASAMBI	8,5	0,22
1A2960303.27.40	MISS - MATT WHITE - 2700K - ENDLESS	5,5	0,14
1A2960303.30.40	MISS - MATT WHITE - 3000K - ENDLESS	5,5	0,14
1A2960403.27.40	MISS - MATT BLACK - 2700K - ENDLESS	5,5	0,14
1A2960403.30.40	MISS - MATT BLACK - 3000K - ENDLESS	5,5	0,14
1A2960803.27.40	MISS - BRUSHED BRASS - 2700K - ENDLESS	5,5	0,14
1A2960803.30.40	MISS - BRUSHED BRASS - 3000K - ENDLESS	5,5	0,14
1A2962603.27.40	MISS - MATT TOTAL BLACK - 2700K - ENDLESS	5,5	0,14
1A2962603.30.40	MISS - MATT TOTAL BLACK - 3000K - ENDLESS	5,5	0,14
1A2980303.27.40	CATHODE - MATT WHITE - 2700K	5,5	0,14
1A2980303.30.40	CATHODE - MATT WHITE - 3000K	5,5	0,14
1A2980803.27.40	CATHODE - BRUSHED BRASS - 2700K	5,5	0,14
1A2980803.30.40	CATHODE - BRUSHED BRASS - 3000K	5,5	0,14
1A0850403.27.40	REFLEX - 2700K - ENDLESS	23	0,57
1A0850403.30.40	REFLEX - 3000K - ENDLESS	23	0,57

MIRA ENDLESS



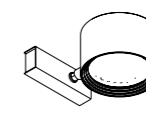
SEE PAGE 229-231

DOT P ENDLESS



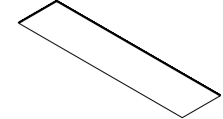
SEE PAGE 233-235

SPOT ENDLESS



SEE PAGE 237-239

REFLEX



SEE PAGE 241

MISS ENDLESS



SEE PAGE 245

CATHODE ENDLESS



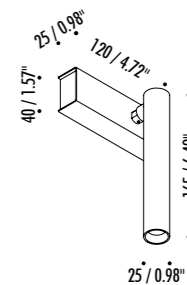
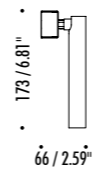
SEE PAGE 247



The sizes are expressed in millimeters / inches.

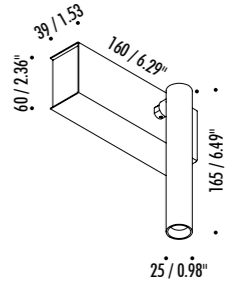
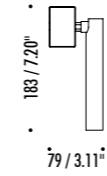
DESIGN OMAR CARRAGLIA - 2012
WALL LAMP - METAL

MIRA ENDLESS



1A2280303.27.40	MATT WHITE - 2700K - ENDLESS	48 V DC - 6 W LED 2700K - 327 lm - CRI > 90 / 3000K - 352 lm - CRI > 90 COMPULSORY ENDLESS POWER SUPPLY KIT NOT INCLUDED
1A2280303.30.40	MATT WHITE - 3000K - ENDLESS	
1A2280403.27.40	MATT BLACK - 2700K - ENDLESS	
1A2280403.30.40	MATT BLACK - 3000K - ENDLESS	

 CASAMBI VERSION



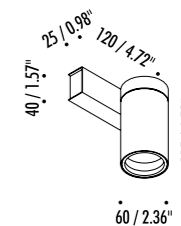
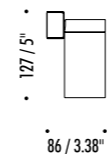
1A2280303.27.41	MATT WHITE - 2700K - ENDLESS CASAMBI	48 V DC - 8,5 W LED 2700K - 327 lm - CRI > 90 / 3000K - 352 lm - CRI > 90 DIMMABLE WITH CASAMBI WIRELESS CONTROL COMPULSORY ENDLESS POWER SUPPLY KIT NOT INCLUDED
1A2280303.30.41	MATT WHITE - 3000K - ENDLESS CASAMBI	
1A2280403.27.41	MATT BLACK - 2700K - ENDLESS CASAMBI	
1A2280403.30.41	MATT BLACK - 3000K - ENDLESS CASAMBI	



The sizes are expressed in millimeters / inches.

DESIGN DAVIDE GROPPI - 2015
WALL AND CEILING LAMP - METAL

DOT P ENDLESS

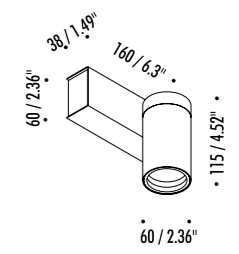
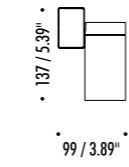


1A2340303.27.40	MATT WHITE - 2700K - ENDLESS	48 V DC - 13 W LED WITH LENS 1A3090000.00.00: 2700K - 983 lm - CRI 97 / 3000K - 1038 lm - CRI 97 WITH LENS 1A3100000.00.00: 2700K - 943 lm - CRI 97 / 3000K - 996 lm - CRI 97 WITH LENS 1A3110000.00.00: 2700K - 955 lm - CRI 97 / 3000K - 1005 lm - CRI 97 WITH LENS 1A3120000.00.00: 2700K - 965 lm - CRI 97 / 3000K - 1016 lm - CRI 97 COMPULSORY ENDLESS POWER SUPPLY KIT NOT INCLUDED COMPULSORY ACCESSORIES NOT INCLUDED
1A2340303.30.40	MATT WHITE - 3000K - ENDLESS	
1A2340403.27.40	MATT BLACK - 2700K - ENDLESS	
1A2340403.30.40	MATT BLACK - 3000K - ENDLESS	

COMPULSORY ACCESSORIES

1A3090000.00.00	BEAM 14°	LENS
1A3100000.00.00	BEAM 24°	
1A3110000.00.00	BEAM 36°	
1A3120000.00.00	BEAM 50°	

 CASAMBI VERSION



1A2340303.27.41	MATT WHITE - 2700K - ENDLESS CASAMBI	48 V DC - 15,5 W LED WITH LENS 1A3090000.00.00: 2700K - 983 lm - CRI 97 / 3000K - 1038 lm - CRI 97 WITH LENS 1A3100000.00.00: 2700K - 943 lm - CRI 97 / 3000K - 996 lm - CRI 97 WITH LENS 1A3110000.00.00: 2700K - 955 lm - CRI 97 / 3000K - 1005 lm - CRI 97 WITH LENS 1A3120000.00.00: 2700K - 965 lm - CRI 97 / 3000K - 1016 lm - CRI 97 DIMMABLE WITH CASAMBI WIRELESS CONTROL COMPULSORY ENDLESS POWER SUPPLY KIT NOT INCLUDED COMPULSORY ACCESSORIES NOT INCLUDED
1A2340303.30.41	MATT WHITE - 3000K - ENDLESS CASAMBI	
1A2340403.27.41	MATT BLACK - 2700K - ENDLESS CASAMBI	
1A2340403.30.41	MATT BLACK - 3000K - ENDLESS CASAMBI	

COMPULSORY ACCESSORIES

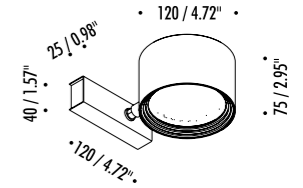
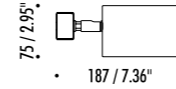
1A3090000.00.00	BEAM 14°	LENS
1A3100000.00.00	BEAM 24°	
1A3110000.00.00	BEAM 36°	
1A3120000.00.00	BEAM 50°	



The sizes are expressed in millimeters / inches.

DESIGN DAVIDE GROPPI - 2001
WALL AND CEILING LAMP - METAL

SPOT ENDLESS



1A1080303.00.40	MATT WHITE - ENDLESS	48 V DC - MAX 13 W LED COMPULSORY ENDLESS POWER SUPPLY KIT NOT INCLUDED - SEE PAGE 219-223 LED MODULE NOT INCLUDED OPTIONAL LED MODULE ACCESSORIES NOT INCLUDED
1A1080403.00.40	MATT BLACK - ENDLESS	

COMPULSORY ACCESSORIES

1A4700003.27.20	LED MODULE 15° SPOT	11,7 W LED (350 mA) - 15° - 2700K - 1068 lm - CRI 90 - DIMMABLE
1A4700003.30.20	LED MODULE 15° SPOT	11,7 W LED (350 mA) - 15° - 3000K - 1091 lm - CRI 90 - DIMMABLE
1A3890003.27.20	LED MODULE 22° SPOT	11,7 W LED (350 mA) - 22° - 2700K - 1508 lm - CRI 90 - DIMMABLE
1A3890003.30.20	LED MODULE 22° SPOT	11,7 W LED (350 mA) - 22° - 3000K - 1578 lm - CRI 90 - DIMMABLE
1A3900003.27.20	LED MODULE 36° SPOT	11,7 W LED (350 mA) - 36° - 2700K - 1266 lm - CRI 90 - DIMMABLE
1A3900003.30.20	LED MODULE 36° SPOT	11,7 W LED (350 mA) - 36° - 3000K - 1323 lm - CRI 90 - DIMMABLE

OPTIONAL ACCESSORIES

1A1210000.00.00	STANDARD	DARKLIGHT FOR LED MODULE
-----------------	----------	--------------------------

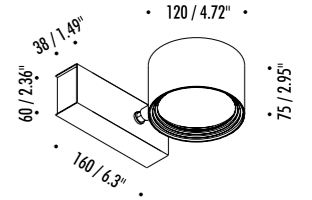
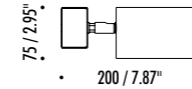


The sizes are expressed in millimeters / inches.

DESIGN DAVIDE GROPPI - 2001
WALL AND CEILING LAMP - METAL

SPOT ENDLESS

 CASAMBI VERSION



1A1080303.00.41	MATT WHITE - ENDLESS CASAMBI	48 V DC - MAX 15,5 W LED DIMMABLE WITH CASAMBI WIRELESS CONTROL COMPULSORY ENDLESS POWER SUPPLY KIT NOT INCLUDED - SEE PAGE 219-223 LED MODULE NOT INCLUDED OPTIONAL LED MODULE ACCESSORIES NOT INCLUDED
1A1080403.00.41	MATT BLACK - ENDLESS CASAMBI	

COMPULSORY ACCESSORIES

1A4700003.27.20	LED MODULE 15° SPOT	11,7 W LED (350 mA) - 15° - 2700K - 1068 lm - CRI 90 - DIMMABLE
1A4700003.30.20	LED MODULE 15° SPOT	11,7 W LED (350 mA) - 15° - 3000K - 1091 lm - CRI 90 - DIMMABLE
1A3890003.27.20	LED MODULE 22° SPOT	11,7 W LED (350 mA) - 22° - 2700K - 1508 lm - CRI 90 - DIMMABLE
1A3890003.30.20	LED MODULE 22° SPOT	11,7 W LED (350 mA) - 22° - 3000K - 1578 lm - CRI 90 - DIMMABLE
1A3900003.27.20	LED MODULE 36° SPOT	11,7 W LED (350 mA) - 36° - 2700K - 1266 lm - CRI 90 - DIMMABLE
1A3900003.30.20	LED MODULE 36° SPOT	11,7 W LED (350 mA) - 36° - 3000K - 1323 lm - CRI 90 - DIMMABLE

OPTIONAL ACCESSORIES

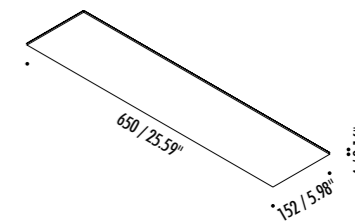
1A1210000.00.00	STANDARD	DARKLIGHT FOR LED MODULE
-----------------	----------	--------------------------



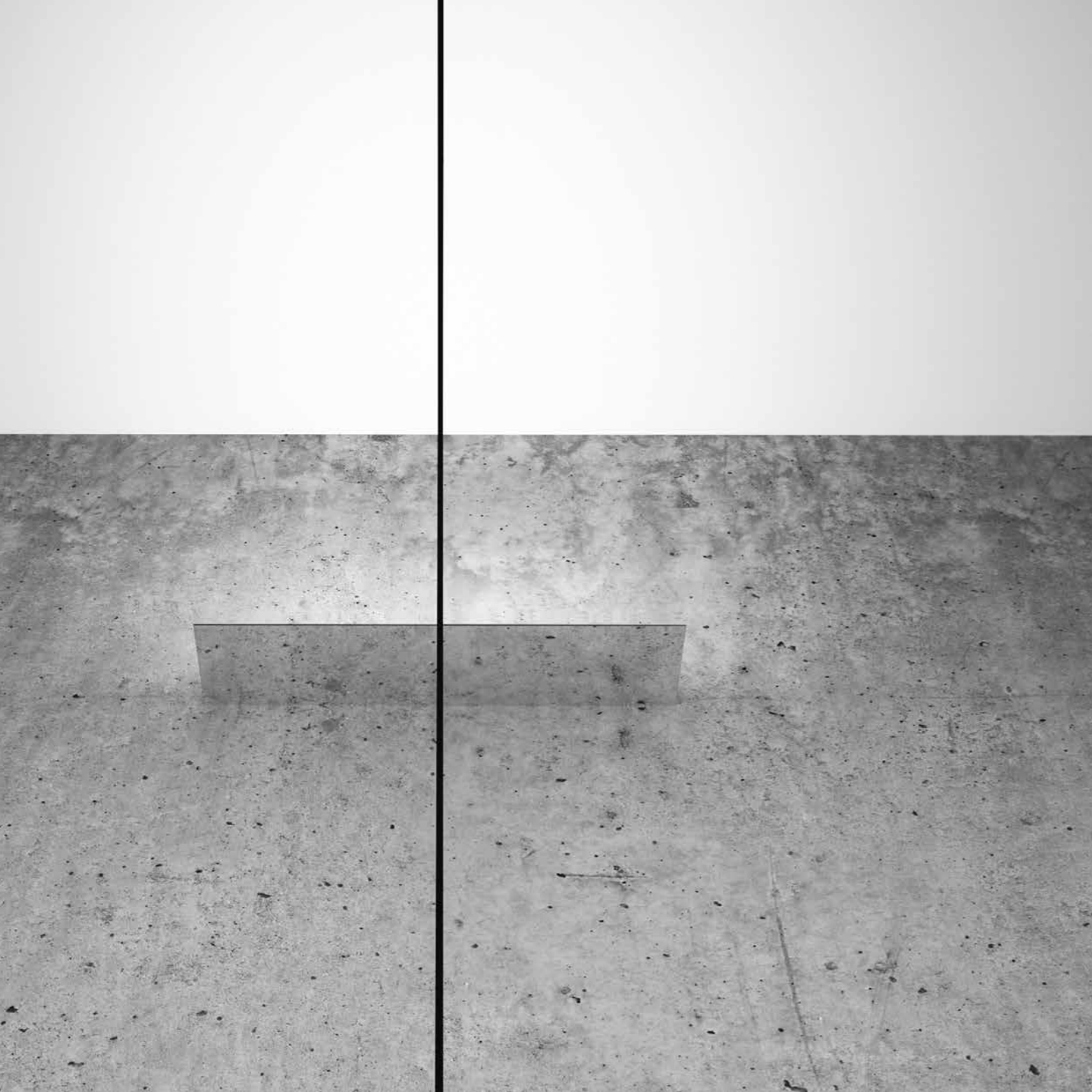
The sizes are expressed in millimeters / inches.

DESIGN MICHELE GROPPI - 2022
WALL LAMP - METAL - MIRROR

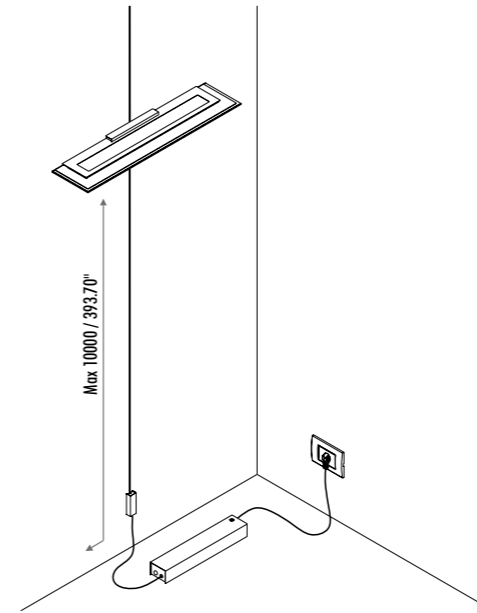
REFLEX



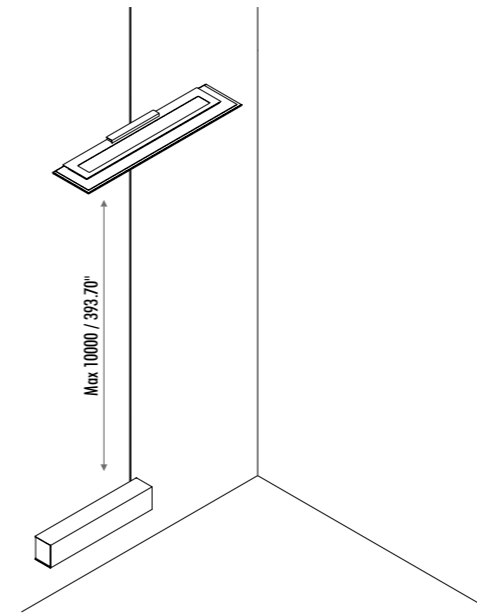
1A0850403.27.40	STANDARD - 2700K - ENDLESS	48 V DC - 23 W LED
1A0850403.30.40	STANDARD - 3000K - ENDLESS	2700K - 2158 lm - CRI > 90 / 3000K - 2320 lm - CRI > 90
		MIRROR TOP (DOWN) WITH BLACK BACK SIDE (UP)
		COMPULSORY ENDLESS POWER SUPPLY KIT NOT INCLUDED



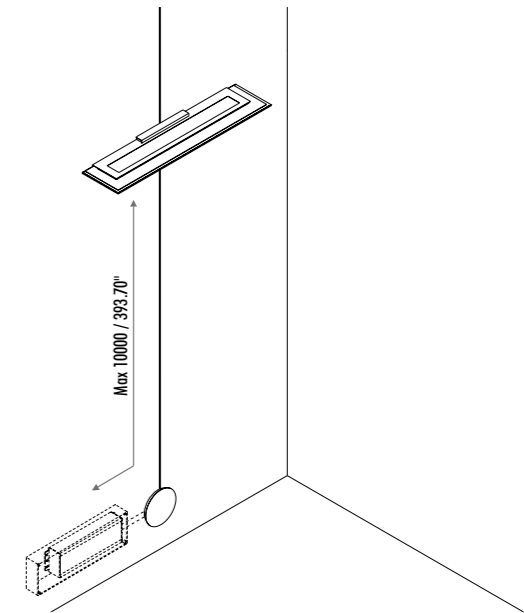
POWER SUPPLY KIT WITH PLUG



WALL AND CEILING ROSE KIT



REMOTE POWER SUPPLY KIT



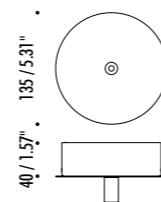


The sizes are expressed in millimeters / inches.

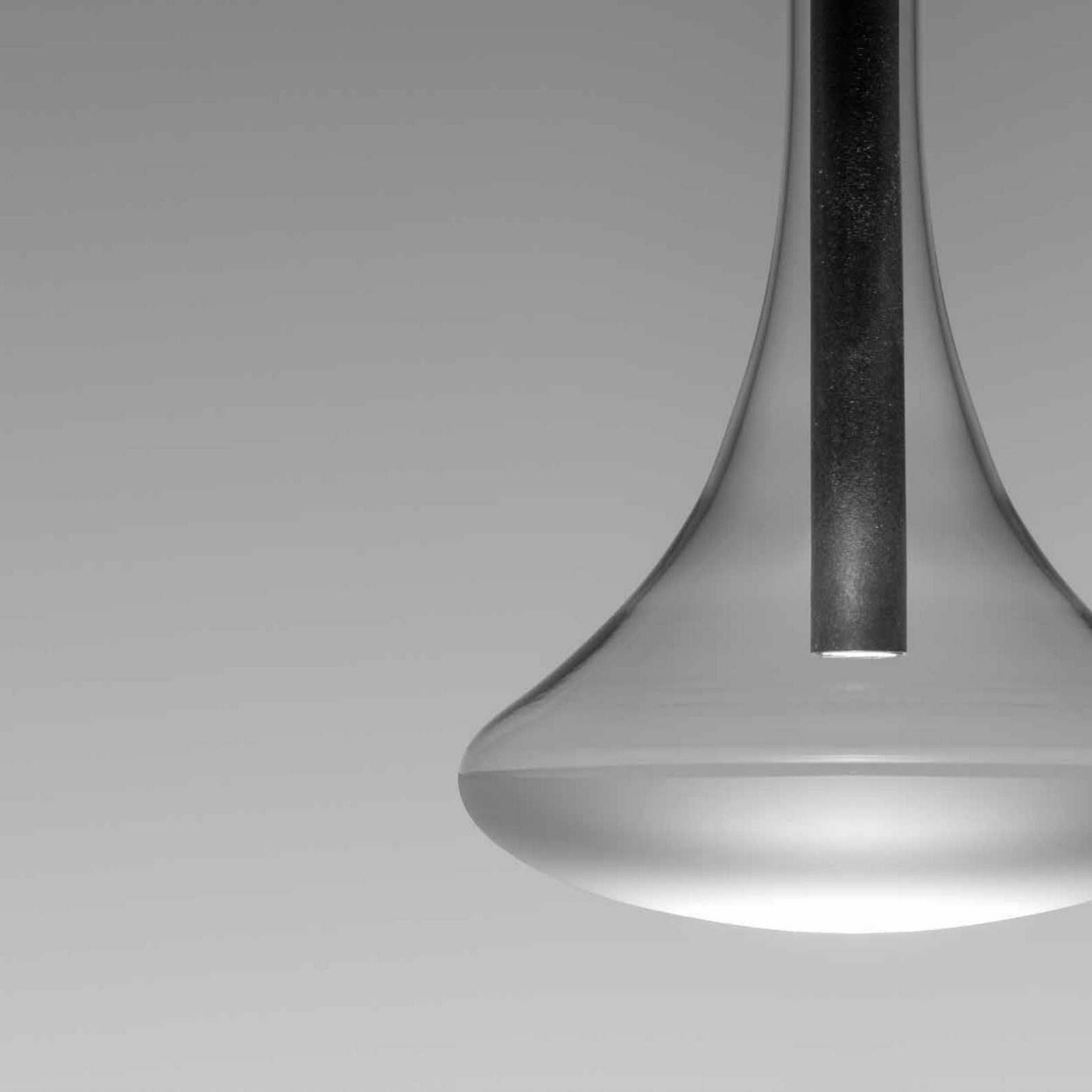
DESIGN OMAR CARRAGLIA - 2006
SUSPENSION LAMP - METAL

MISS ENDLESS

CEILING ROSE



1A2960303.27.40	MATT WHITE - 2700K - ENDLESS	48 V DC - 5,5 W LED
1A2960303.30.40	MATT WHITE - 3000K - ENDLESS	2700K - 290 lm - CRI > 90 / 3000K - 310 lm - CRI > 90
1A2960403.27.40	MATT BLACK - 2700K - ENDLESS	WHITE CEILING ROSE - WHITE CABLE
1A2960403.30.40	MATT BLACK - 3000K - ENDLESS	COMPULSORY ENDLESS POWER SUPPLY KIT NOT INCLUDED
1A2960803.27.40	BRUSHED BRASS - 2700K - ENDLESS	48 V DC - 5,5 W LED
1A2960803.30.40	BRUSHED BRASS - 3000K - ENDLESS	2700K - 290 lm - CRI > 90 / 3000K - 310 lm - CRI > 90
1A2962603.27.40	MATT TOTAL BLACK - 2700K - ENDLESS	WHITE CEILING ROSE - WHITE CABLE
1A2962603.30.40	MATT TOTAL BLACK - 3000K - ENDLESS	COMPULSORY ENDLESS POWER SUPPLY KIT NOT INCLUDED



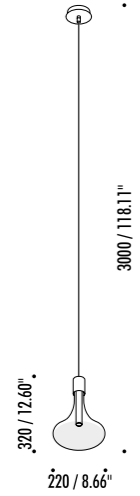
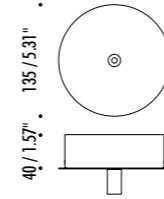
The sizes are expressed in millimeters / inches.

DESIGN OMAR CARRAGLIA - 2015
SUSPENSION LAMP - METAL - BLOWN GLASS

CATHODE ENDLESS

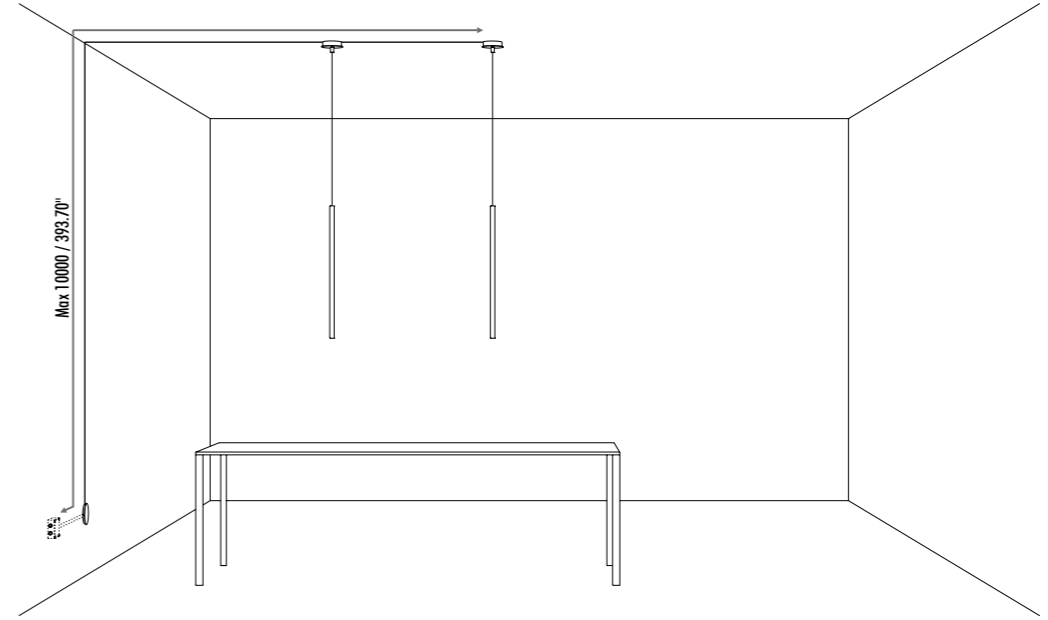


CEILING ROSE



1A2980303.27.40	MATT WHITE - 2700K - ENDLESS	48 V DC - 5,5 W LED 2700K - 264 lm - CRI > 90 / 3000K - 284 lm - CRI > 90
1A2980303.30.40	MATT WHITE - 3000K - ENDLESS	WHITE CEILING ROSE - WHITE CABLE COMPULSORY ENDLESS POWER SUPPLY KIT NOT INCLUDED
1A2980803.27.40	BRUSHED BRASS - 2700K - ENDLESS	48 V DC - 5,5 W LED 2700K - 264 lm - CRI > 90 / 3000K - 284 lm - CRI > 90
1A2980803.30.40	BRUSHED BRASS - 3000K - ENDLESS	BLACK CEILING ROSE - BLACK CABLE COMPULSORY ENDLESS POWER SUPPLY KIT NOT INCLUDED

INSTALLATION WITH ENDLESS AND REMOTE POWER SUPPLY KIT



INSTALLATION WITH ENDLESS AND POWER SUPPLY KIT WITH PLUG

