

TECHNICAL DATA

ROLF BENZ SINA



**ROLF
BENZ**

Seating comfort Lounge Plus

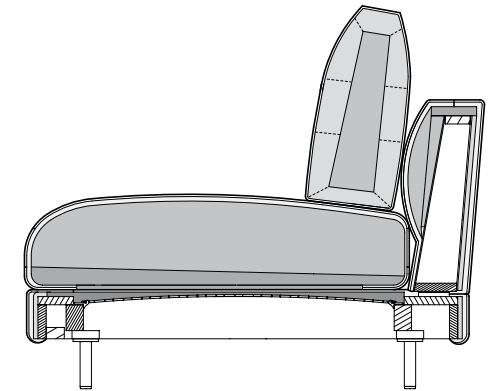
- Wooden inner frame
- Nosag spring support
- Seat with a layered structure with polyurethane foam and a highquality cold foam, coordinated with each other in terms of height and hardness, with a polyester fleece cover.
- Back pad in polyurethane foam
- Back cover quilted underneath with polyester nonwoven
- Down-like backrest cushions comprising compartments with a filling made of 100 % microfibres and a supporting core made of polyurethane
- Tubular leg, steel, fine structure, matt powdercoated, optionally:
 - Traffic black RAL 9017
 - Umbra grey RAL 7022
- Seat height options 42, 45 or 48 cm

This comfort version has a highquality, especially casual upholstery that forms waves and leaves indentations that are typical of the material.

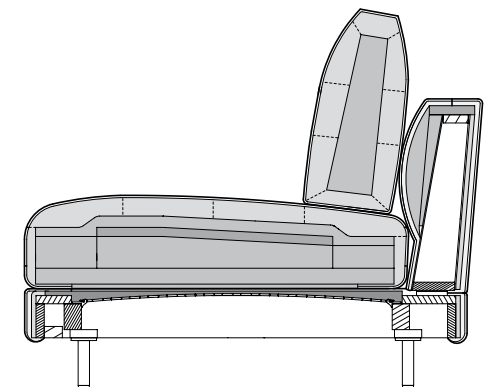
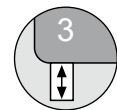
Seating comfort Lounge Deluxe

- Wooden inner frame
- Nosag spring support
- Seat made of polyurethane foam, built up in layers and coordinated in different thicknesses and hardnesses, covered with a pad consisting of 20 % viscose foam and 80 % microfibres.
- Back with wooden frame inside
- Back pad in polyurethane foam
- Upholstery cover glued-on non-woven polyester
- Down-like backrest cushions comprising compartments with a filling made of 100 % microfibres and a supporting core made of polyurethane
- Tubular leg, steel, fine structure, matt powdercoated, optionally:
 - Traffic black RAL 9017
 - Umbra grey RAL 7022
- Seat height options 42, 45 or 48 cm

This comfort version has a highquality, especially casual upholstery that forms waves and leaves indentations that are typical of the material. These are or may also be visible when the furniture is new.

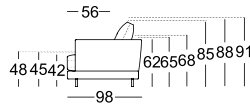


Seat heights available

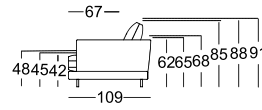


**ROLF
BENZ**

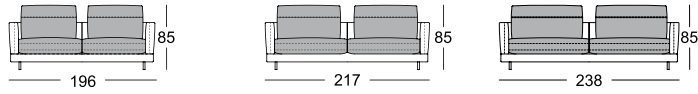
Normal seat depth



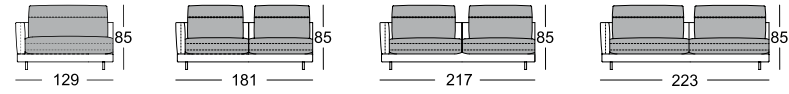
Extra-deep seat depth



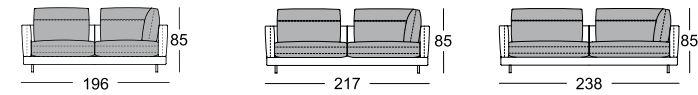
Sofa



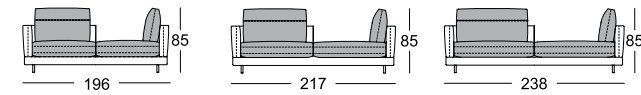
Modular sofa bench element*



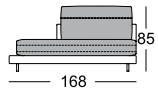
Corner modular sofa element*



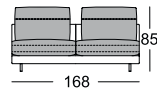
Corner modular sofa element with frame*



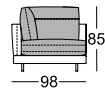
Sectional sofa with fixed footstool and frame*



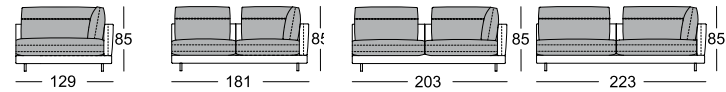
Sectional sofa



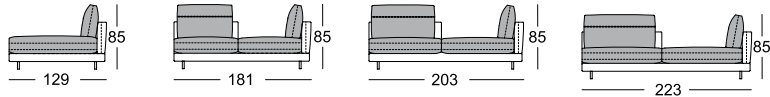
Corner unit



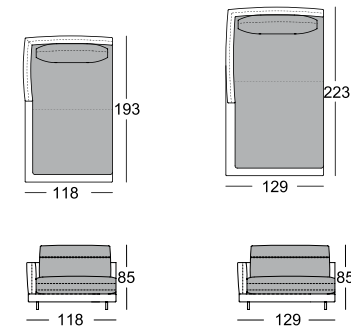
Corner sectional sofa*



Corner sectional sofa with frame*



Closing chair with fixed footstool and frame*

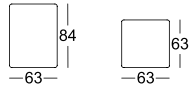


**ROLF
BENZ**

Modular upholstered bench element



Seat cushion for modular upholstered bench element



Low back cushion



Back cushion mat



Backrest extension



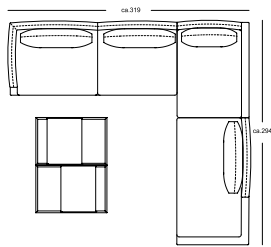
Side cushion



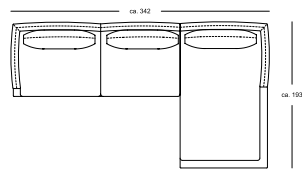
Headrest



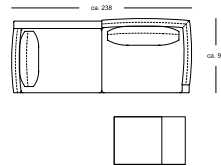
Combination examples:



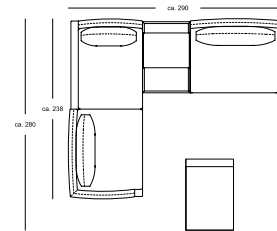
ASO 60/SB210 le
E-ARB-RA 60/SB116 rri
ARB-PSZ-RA 60/SB 158
CT 906 with ABL



ASO 60/SB 210 le
ASS-PSZ-RA 60/SB 105 ri



E-ASO-RA 60/SB 210 ri
A-PB 60/SB 63x94
SIK-A-PB/SB 63x63



E-ASO-RA 60/SB 210 le
CT 906 mit Ablage
A-PB 60/SB 116 ri
A-PB 60/SB 63x94
SIK-A-PB 63x84

**ROLF
BENZ**